

SCHEDULE OF FLOOR BEAMS

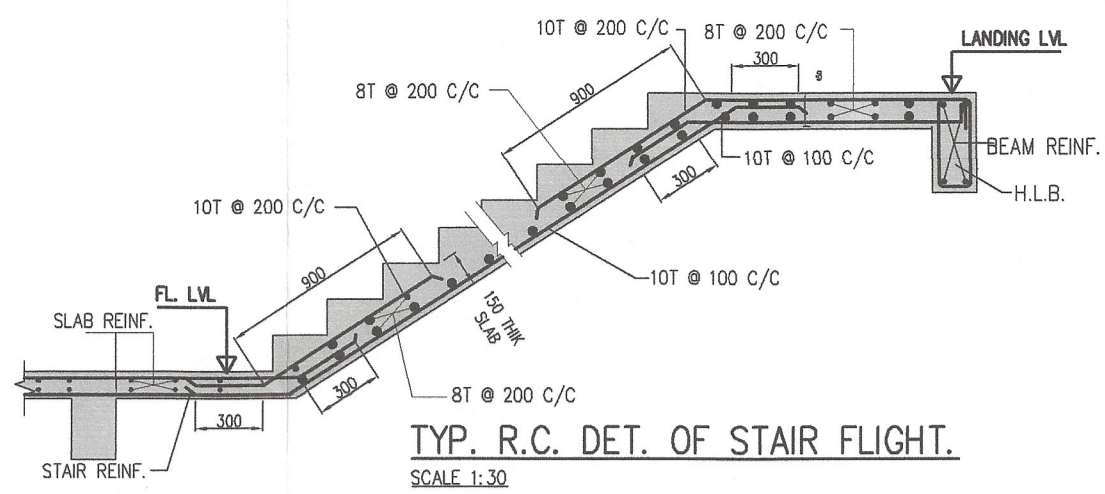
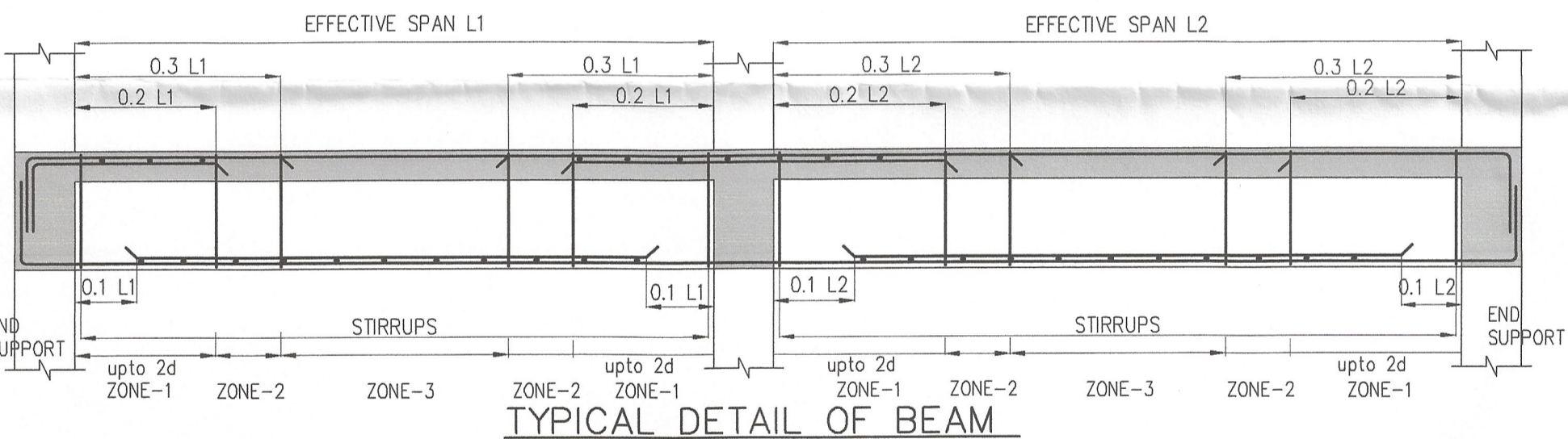
BEAM MKD	BEAM SIZE	BEAM REINFORCEMENT								STIRRUP		REMARKS
		END SUPPT		MID SPAN		CONT. SUPPT		CANT END		UPTO L/3 FROM SUPPT	MID SPAN	
(T)	(B)	(T)	(B)	(T)	(B)	(T)	(B)	(T)	(B)			
B-1	200x400	2-16T	2-16T	2-16T	2-16T	2-16T	2-16T	-	-	8T 2L @ 100 C/C	8T 2L @ 200 C/C	
B-2	250x400	2-16T +1-16T	2-16T	2-16T	2-16T +1-16T	2-16T +1-16T	2-16T	-	-	8T 2L @ 100 C/C	8T 2L @ 200 C/C	

SCHEDULE OF SLAB

SLAB MKD	SLAB THICKNESS	SHORTER DIR.		LONGER DIR.		DISTRIBUTION
		SUPPORT	MID SPAN	SUPPORT	MID SPAN	
S1	135	8T @ 100 C/C	8T @ 100 C/C	8T @ 100 C/C	8T @ 100 C/C	8T @ 300 C/C
S2	125	8T @ 125 C/C	8T @ 125 C/C	8T @ 125 C/C	8T @ 125 C/C	8T @ 300 C/C
S3	125	8T @ 150 C/C	8T @ 150 C/C	8T @ 150 C/C	8T @ 150 C/C	8T @ 300 C/C

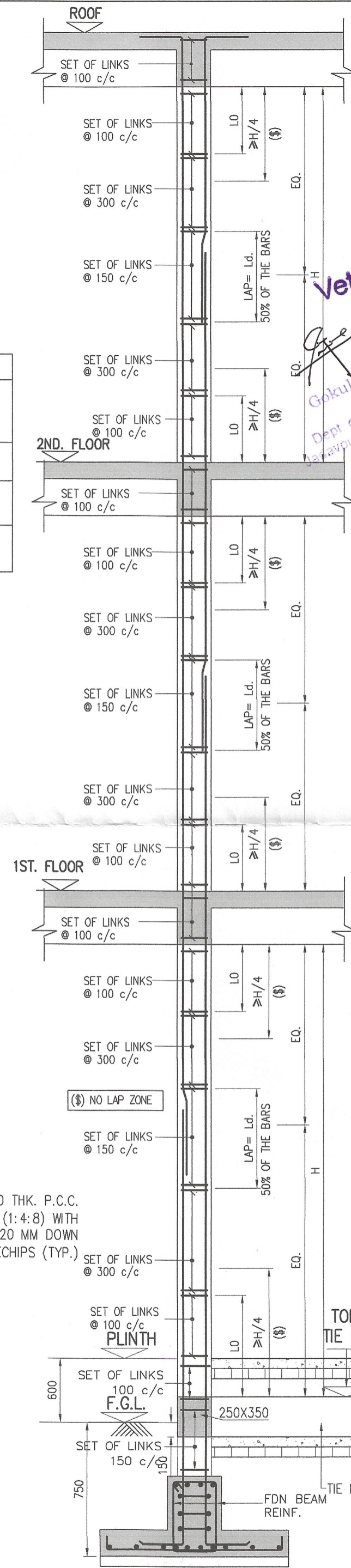
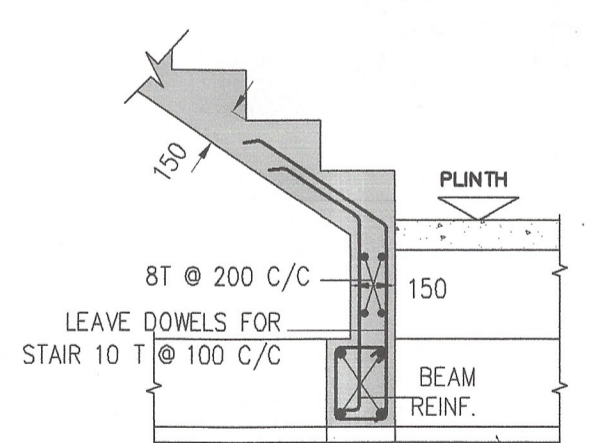
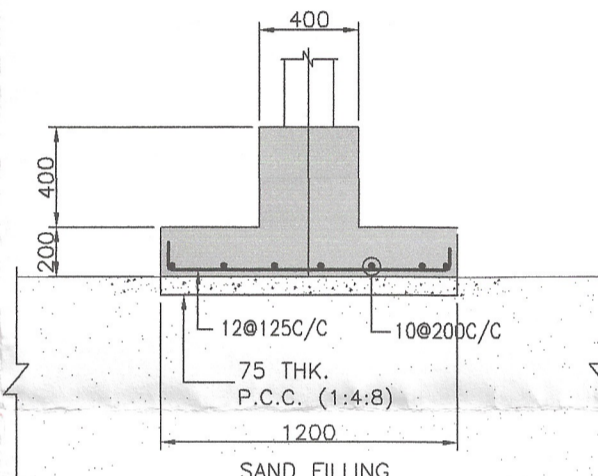
SCHEDULE OF COLUMN

TO FOUNDATION	M-25	
	4-16T +8-12T	4-16T +10-12T
LEVEL COL. MKD.	200X600 C1,C2,C3,C5,C6,C7, C9,C10&C11	200X750 C8&C12
10T FOR CLOSE LINKS & 8T FOR OPEN LINKS		

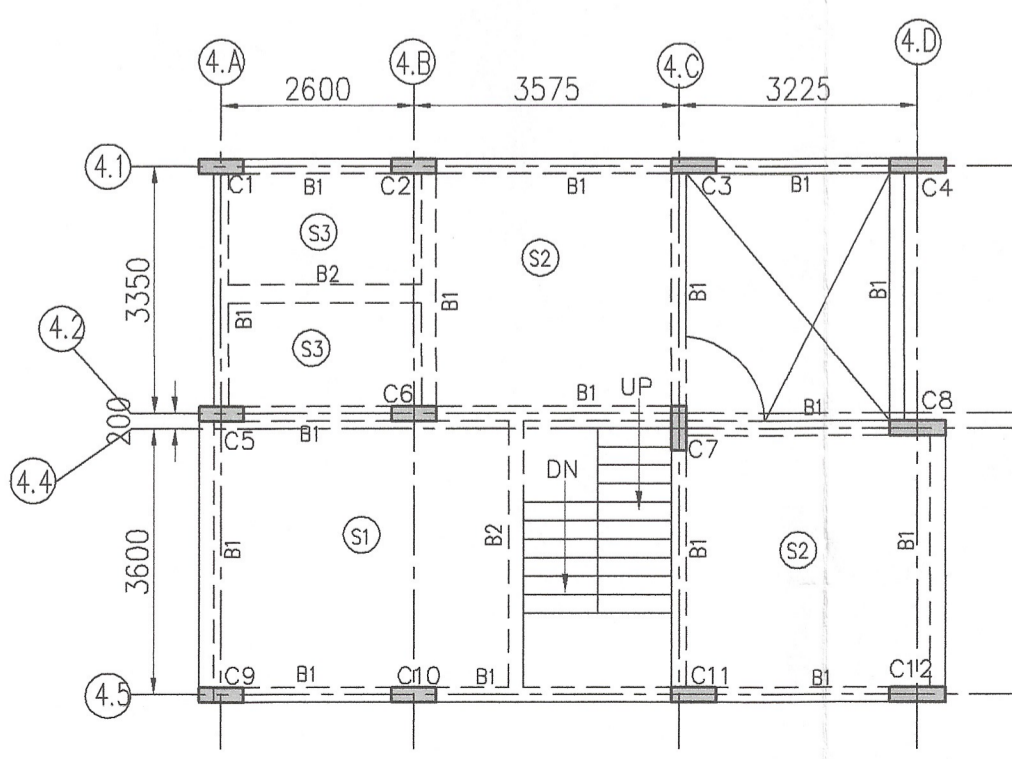
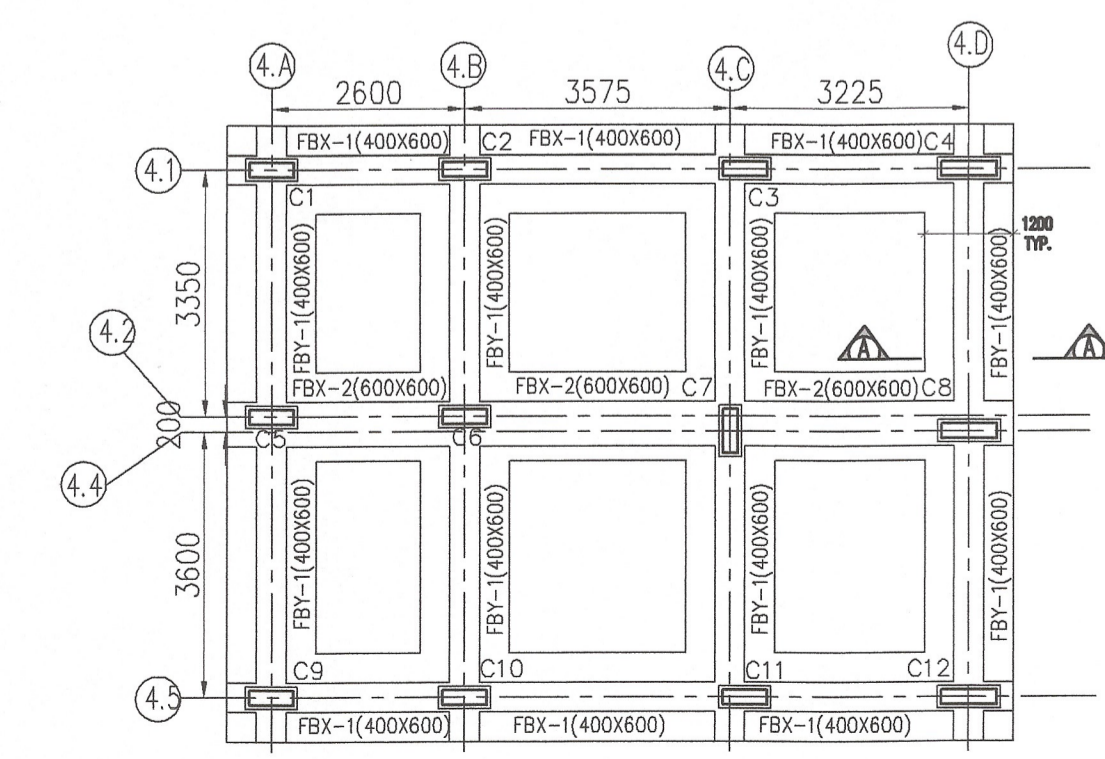


SCHEDULE OF FOUNDATION BEAMS

BEAM MKD	BEAM SIZE	BEAM REINFORCEMENT								STIRRUP		REMARKS
		END SUPPT		MID SPAN		CONT. SUPPT		CANT END		UPTO L/3 FROM SUPPT	MID SPAN	
(T)	(B)	(T)	(B)	(T)	(B)	(T)	(B)	(T)	(B)			
FBX-1	400x600	2-20T +2-16T	2-20T +2-16T	2-20T +2-16T	2-20T +2-16T	2-20T +2-16T	2-20T +2-16T	2-20T +2-16T	2-20T +2-16T	10T 4L @ 150 C/C	10T 4L @ 150 C/C	
FBX-2	600x600	3-20T +3-16T	3-20T +3-16T	3-20T +3-16T	3-20T +3-16T	3-20T +3-16T	3-20T +3-16T	3-20T +3-16T	3-20T +3-16T	10T 6L @ 150 C/C	10T 6L @ 150 C/C	
FBY-1	400x600	2-20T +2-16T	2-20T +2-16T	2-20T +2-16T	2-20T +2-16T	2-20T +2-16T	2-20T +2-16T	2-20T +2-16T	2-20T +2-16T	10T 4L @ 150 C/C	10T 4L @ 150 C/C	



NOTE: -
LO=MAX. OF THE THREE
1. LARGER LATERAL DIMENSION.
2. H/8
3. 450 MM.
4. (\$) = NO LAP ZONE



CERTIFIED THAT I HAVE GONE THROUGH THE WEST BENGAL MUNICIPAL BUILDING RULES 2009 AS AMENDED TO TIME AND ALSO UNDER TAKE TO ABIDE BY THOSE RULES DURING AND AFTER CONSTRUCTION OF BUILDING.

DTC PROJECTS PVT. LTD.
Koushik Ghosh
Authorised Signatory

SIGNATURE OF OWNER:
THE STRUCTURAL DESIGNS AND DRAWINGS OF BOTH FOUNDATION AND SUPERSTRUCTURE OF THE BUILDING HAS BEEN MADE BY ME CONSIDERING ALL POSSIBLE LOADS INCLUDING THE SEISMIC LOAD AS PER NATIONAL BUILDING CODE OF INDIA AND CERTIFY THAT IT IS SAFE AND STABLE IN ALL RESPECTS.

ANKIT AGARWALA
B.E. (CIVIL), M.E (STR)
G. ENG. M.I. STRUCT. E. (LONDON)
Membership No.-078392965
KMC EMPANELLED STRUCTURAL ENGINEER,
CLASS-1, E.S.E. 1/172

SIGNATURE OF STRUCTURAL ENGINEER:

I CERTIFY THAT THE BUILDING PLAN HAS BEEN DRAWN UP AS PER PROVISION OF W.B. MUNICIPAL (BUILDING) RULE 2009 AS AMENDED FROM TIME TO TIME AND AS PER THE SITE CONDITION WHEREIN THE PLOT IS BOUNDED BY BOUNDARY WALLS AND PILLARS AND IT CONFIRMS WITH THE PLAN. IT IS A BUILDABLE SITE AND NOT A TANK OR FILLED UP TANK.

SIGNATURE OF ARCHITECT
ANIRBAN BHADURI MONDAL
C.O.A. REG. NO. CA/2003/31394

SIGNATURE OF ARCHITECT:

- NOTE: -**
- ALL DIMENSIONS ARE IN MILLIMETERS UNLESS OTHERWISE STATED.
 - UNLESS OTHERWISE SPECIFIED ALL REINFORCEMENT SHALL BE TMT. BARS OF GRADE FE-500D TO IS-1786-1985 AND ELONGATION SHALL BE MINIMUM 14.5 PERCENT.
 - CLEAR COVER FOR ALL MAIN REINF SHALL BE
A) PILE CAP = 50 B) COLUMN = 40
C) FLOOR BEAM = 25 D) FLOOR SLAB = 25 E) STAIR = 25
 - GRADE OF CONCRETE M25/M30
 - GRADE OF P.C.C.
 - UNDER FOUNDATION = 1:4:8 B) UNDER FLOOR = 1:3:6
 - THIS DRAWING SHALL BE READ IN CONJUNCTION WITH RELEVANT ARCH DRAWING.
 - ANY DISCREPANCY IN THE STRUCTURAL DRAWINGS WITH ANY OTHER DRAWINGS SHALL BE BROUGHT TO THE NOTICE OF STRUCTURAL CONSULTANT.
 - DETAILS OF PILE CAP TO BE PROVIDED IN THE WORKING DRAWING.
 - FOR DETAIL OF PILE SHAFT REFER DRG. NO 00-540-00-01.
 - THE REINFORCEMENT DETAIL MUST CONTAIN THE STIPULATION OF IS 13920:1993
 - CONSTRUCTION SHALL BE DONE AS PER IS 456(2000)

Project:
BUILDING PLAN FOR PROPOSED 78 NOS. OF G+2 STORIED ROW HOUSING COMPLEX AT DAG NO. 808, 811, 812, 814, 815, 816, 817, 825, 839 IN MOUZA - CHAKRAZUMOLLA, BLOCK-BISHNUPUR-II, J.L. NO. -18 UNDER GRAM PANCHAYET - RASHAPUNJO, DIST.-SOUTH 24 PARGANAS

Civil & Structural Consultants:
M.N. CONSULTANTS (Pvt.) Ltd.
MNC HOUSE
1516, RAJDANGA MAIN ROAD
KOLKATA - 700 107
Ph.no. - 913324418082/913340165700
FAX NO. 913324418083
E-MAIL: mnconpl2008@gmail.com

Title:
FOUNDATION, FLOOR PLANS WITH SECTIONS & TYP. DETAILS. (3BHK SMALL BUNGALOW)

Scale: AS SHOWN	Date: 30.04.2024	
Drawn: A.N.	Checked by: Approved by:	
<input type="checkbox"/> Design Development	<input type="checkbox"/> Corporation Dwg	<input type="checkbox"/> As Built Dwg
<input type="checkbox"/> Contract Document	<input type="checkbox"/> Construction Dwg	<input type="checkbox"/> Tender Dwg
File Name:		
Job No. 2413	Revision No.	
Drawing No. R-S20-00-04	Revision Date	

THIS DRAWING IS THE PROPERTY OF M.N. CONSULTANTS PVT. LTD. AND IS MERELY LENT FOR LIMITED USE SUBJECT TO THE CONDITION THAT IT SHALL NOT BE REPRODUCED LENT OR USED IN ANY WAY DETRIMENTAL TO OUR INTEREST